



Martini dECO STICK IT

Versatile, self-adhesive acoustic wall tiles

A large, light blue, stylized lowercase letter 'm' graphic that spans the bottom half of the page.

CSR

dECO Stick It

Self-adhesive acoustic tiles designed for use as a decorative pinboard and feature wall. dECO Stick It provides quality sound absorption and create visual interest and intrigue with a variety of tessellating shapes and colours.

- 5 unique designs.
- Tessellating shapes that allow for multiple colours to be used together to create your own pattern.
- Broad range frequency absorption for walls.
- Direct fix with pressure-sensitive adhesive for easy installation.
- Available in 22 colours from our dECO Felt colour range.

Applications

dECO Stick It are intended for indoor use only. Suitable in a variety of spaces such as offices, meeting rooms, theatres, restaurants, libraries, classrooms and sports halls. Easy and quick installation with peel-n-stick adhesive perfectly design for new build or retro-fit applications.

Decorative Finishes

Have design freedom with our extensive range of 22 colours of the dECO Felt range.

Environmental Benefits and Credentials

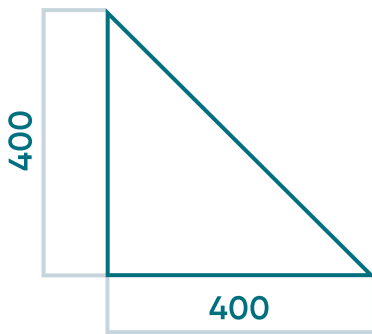
Manufactured from thermally bonded polyester fibre with up to 80% recycled fibre content from post-consumer PET packaging such as empty drink bottles.

- GreenTag^{Cert}™ certified
- Environmental Product Declaration (EPD) Certified in accordance with ISO 14025
- Product Health Declaration (PHD) certified
- Declare certified
- Suitable for Green Star™ projects
- No red list chemicals are present
- No ozone-depleting gases are used during the manufacturing process
- Safe, non-irritant, non-toxic, and non-allergenic
- Products are 100% recyclable
- High reuse potential

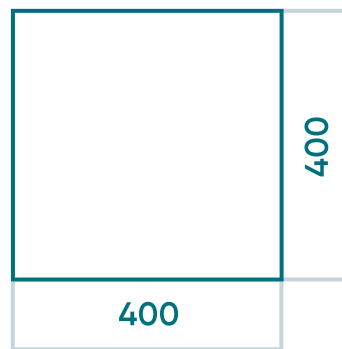


Martini's Product Stewardship Program can be viewed at www.csrmartini.com.au

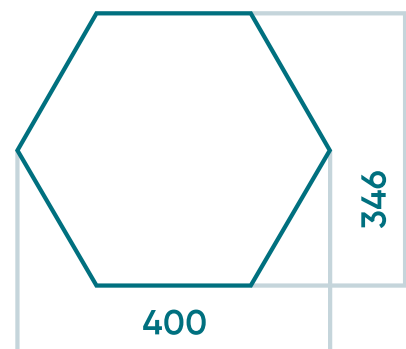
Designs



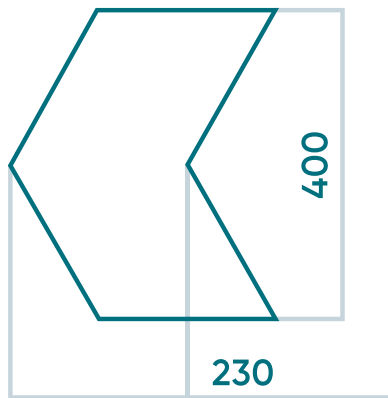
dECO Stick It Triangle
Tiles per box: 24 tiles



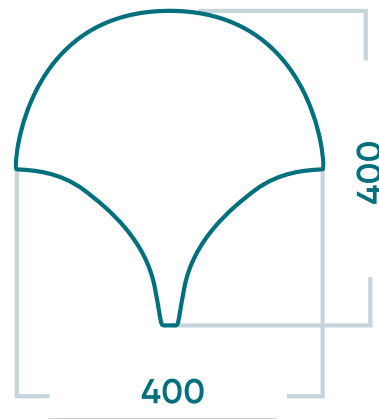
dECO Stick It Square
Tiles per box: 12 tiles



dECO Stick It Hexagon
Tiles per box: 12 tiles



dECO Stick It Chevron
Tiles per box: 12 tiles



dECO Stick It Shell
Tiles per box: 12 tiles

Acoustic Performance

Frequencies	125hz	250hz	500hz	1,000hz	2,000hz	4,000hz	NRC
dECO Stick It - All	0.05	0.10	0.40	0.70	0.90	0.95	0.50

Tested in accordance with AS/ISO 354:2006

Finishes



Physical Description and Properties

Product name:	dECO Stick It		
Composition:	100% Polyester Fibre (PET) with pressure-sensitive adhesive backing		
Decorative finishes:	dECO Stick It are available in dECO Felt colour range with black core		
Each/box:	dECO Stick It Square, Hexagon, Chevron, Shell - 12 tiles dECO Stick It Triangle - 24 tiles		
Minimum order quantity:	2 boxes		
Tolerance:	+/- 2mm in size and thickness		
Installation:	Peel and stick self-adhesive backing and apply to wall substrate including Gyprock®		
Intended use:	Suitable for interior wall applications		
Moisture absorption:	Exposure to an atmosphere of 50°C and 95% RH for four days gives moisture absorption of less than 0.2% by volume		
Acoustic performance:	Refer to Acoustic Performance above		
Fire resistance:	The following results were obtained when dECO Stick It was subjected to early fire hazard testing in accordance with AS 1530.3	Ignitability Spread of Flame Heat Evolved Smoke Developed	8 0 3 7

csrmartini.com.au

CSR Martini Pty Limited
P.O. Box 560, Ingleburn NSW 1890
martinienquiries@csr.com.au
1300 767 776

04/21



Disclaimer: The contents of this brochure are copyright protected and may not be reproduced in any form without prior written consent of CSR Martini. Recommendations and advice regarding the use of the products described in this brochure are to be taken as a guide only, and are given without liability on the part of the company or its employees. We reserve the right to change product specifications without prior notification, please refer to the CSR Martini website for the latest version of this document. The purchaser should independently determine the suitability of the product for the intended use and application.