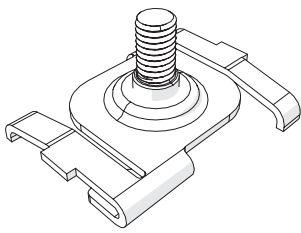
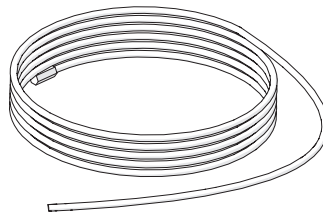


Suspended Grid Ceiling Instructions

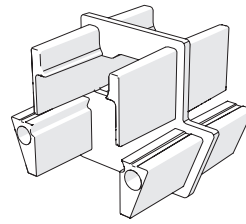
Components:



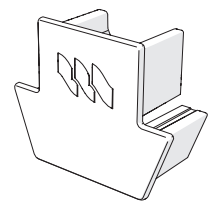
T-Grid Clips



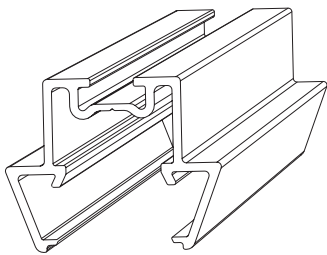
Suspension Wire



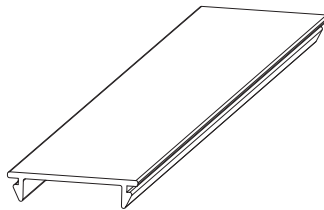
Connector



End Caps



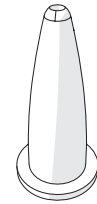
Aluminium Extrusion



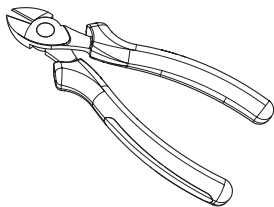
Snap Covers



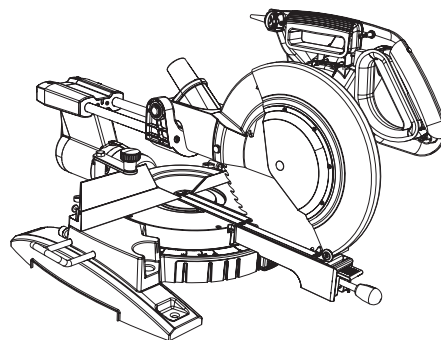
Eclipse Ceiling Ends



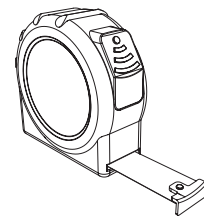
Tools you'll need:



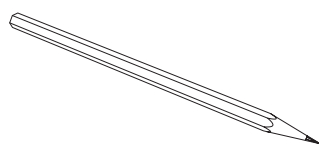
Side Cutters



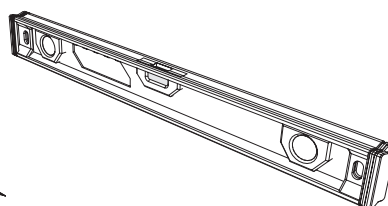
Drop Saw



Measuring Tape



Pencil

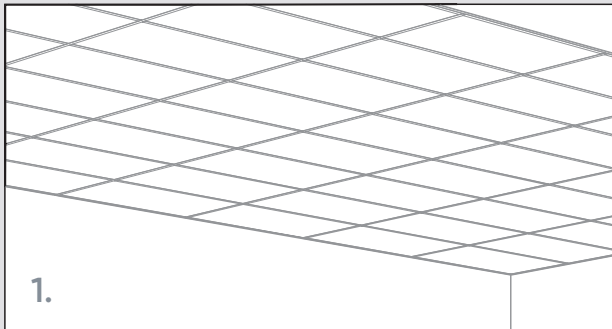


Level



Step 1

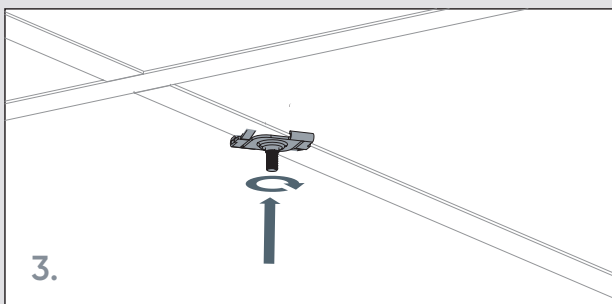
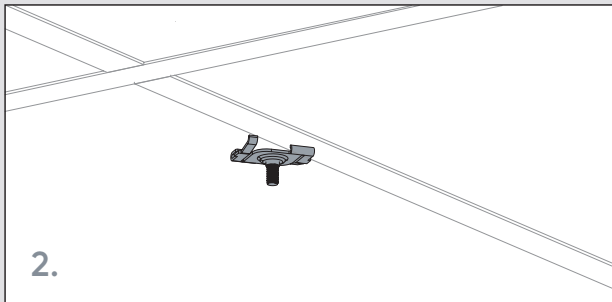
Prepare area and layout all components for use.



Step 2 and 3

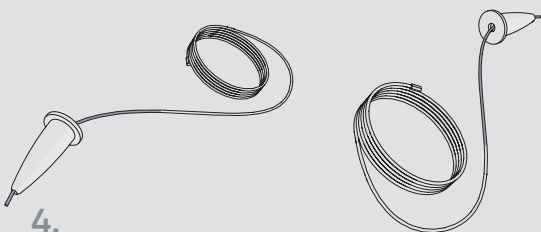
Measure out area and attach T-Grid clips to grid ceiling system where required.

NOTE: Spacing of aluminium extrusion should be parallel apart at either 600mm or 1200mm depending on the Capella blade size purchased.



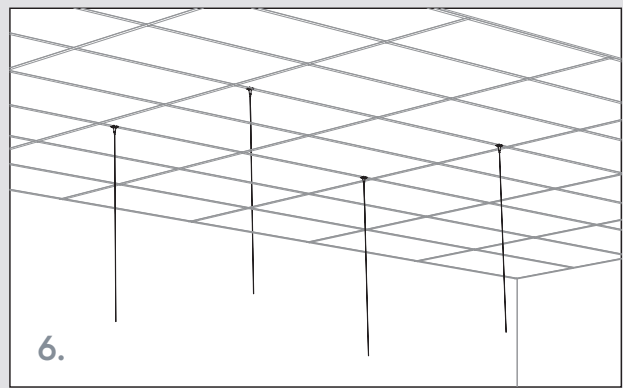
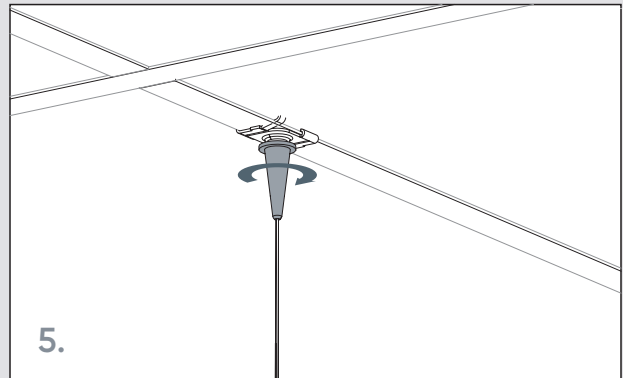
Step 4

Insert Suspension Wire through the bottom of the Eclipse Ceiling End & pull Suspension Wire all the way through till the end knuckle is secured inside the Eclipse Ceiling End.



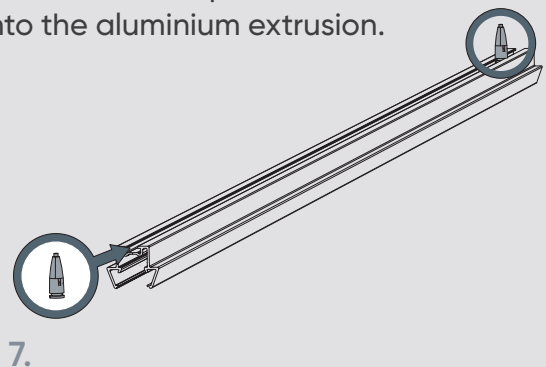
Step 5 and 6

Screw Eclipse Ceiling End into T Grid Clip. Ensure Eclipse is screwed all the way to the top of the T-Grid.



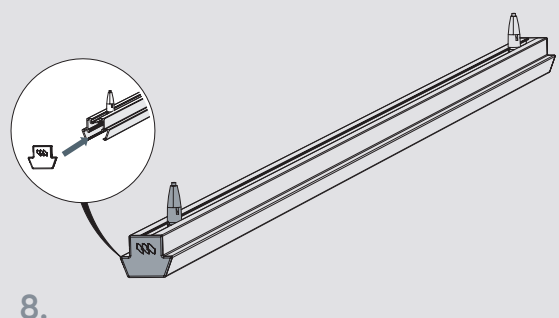
Step 7

Slide in both Eclipse Rail Ends into the aluminium extrusion.



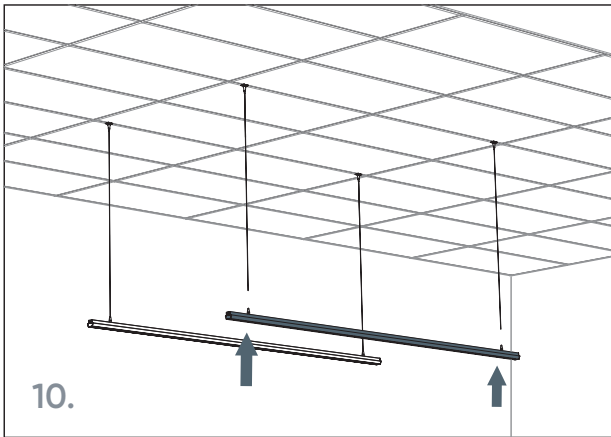
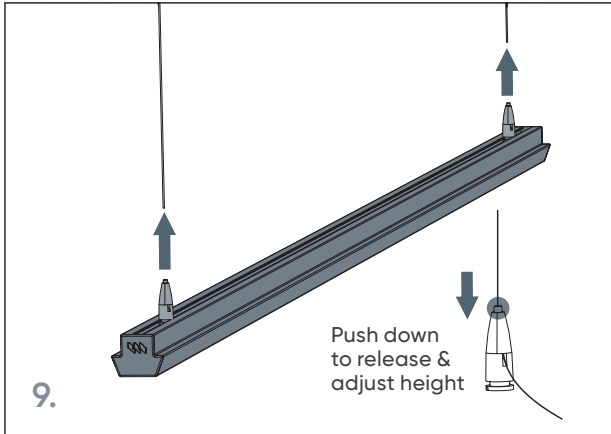
Step 8

Insert end caps on either side of the aluminium extrusion.



Step 9 and 10

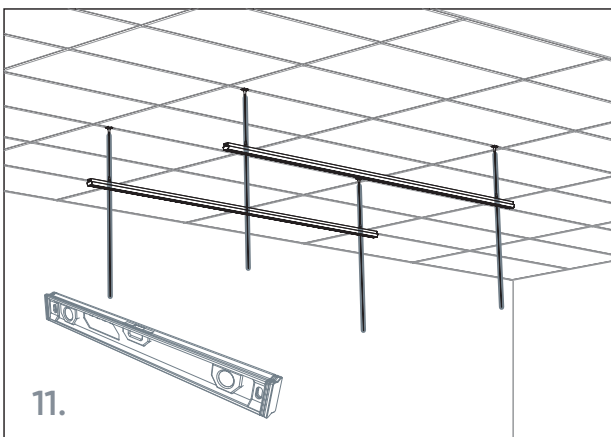
Insert Suspension Cord through the Eclipse Rail End already attached to the aluminium extrusion. Ensure the cord is threaded through the lower hole. Repeat step for all suspension cords.



Step 11

Whilst supporting the suspension cord firmly with one hand, lift the aluminium extrusion to the required height ensuring it is level. Repeat step for all suspension cords.

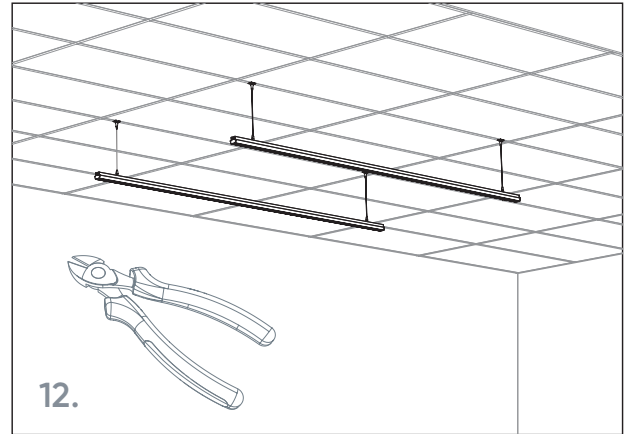
TIP: Do this gradually over all 4 anchor points to simplify the raising process.



Step 12

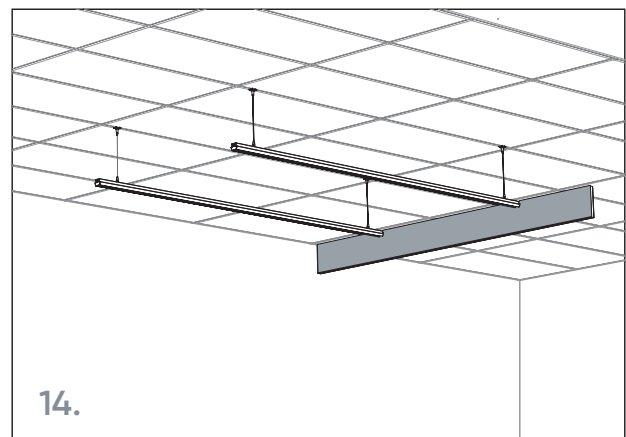
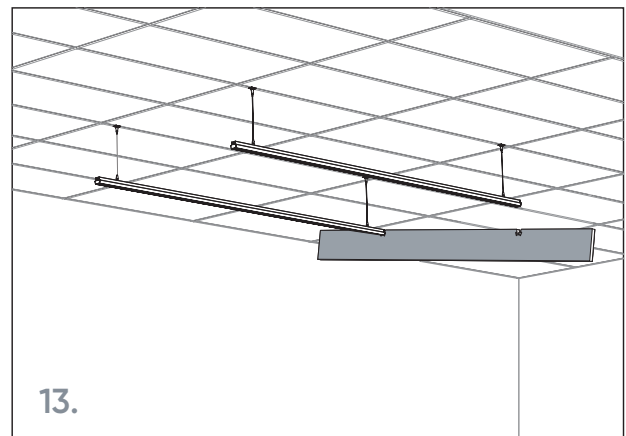
Once level and in position, cut off excess suspension cord with side cutters.

NOTE: Once you cut this excess suspension cord you can no longer lower the height of this system. MAKE SURE YOU ARE 100% HAPPY WITH THIS HEIGHT BEFORE CUTTING CORD.



Step 13 and 14

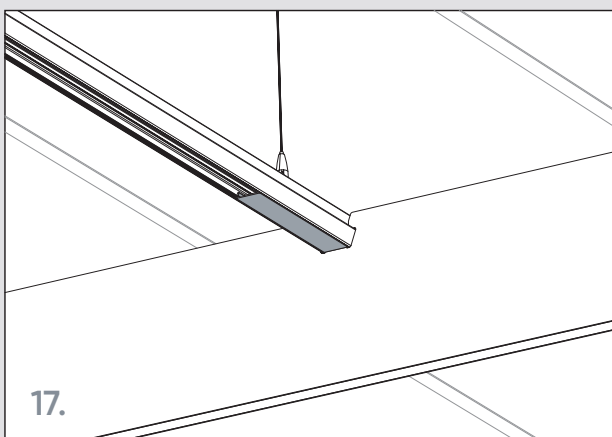
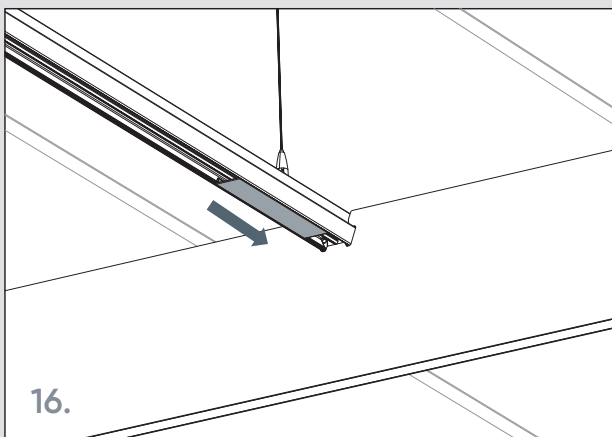
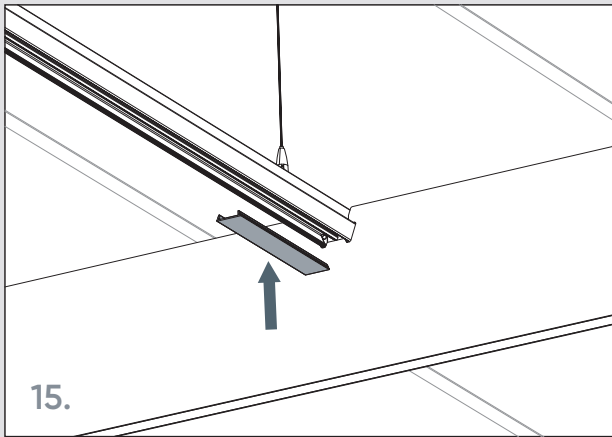
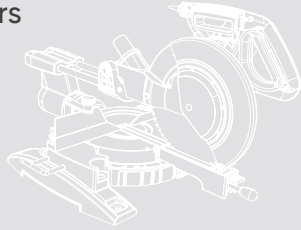
Snap your first acoustic blade flushed to the edge of the aluminium extrusion.



Step 15, 16 and 17

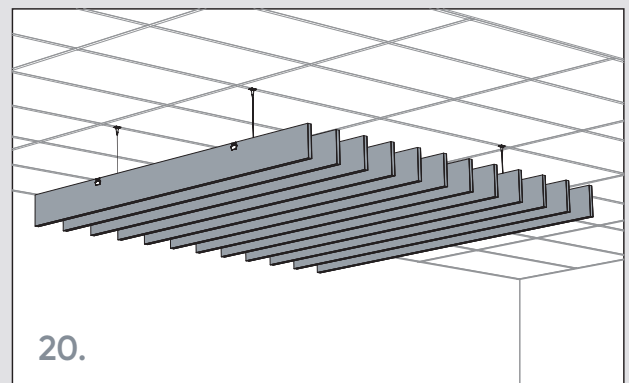
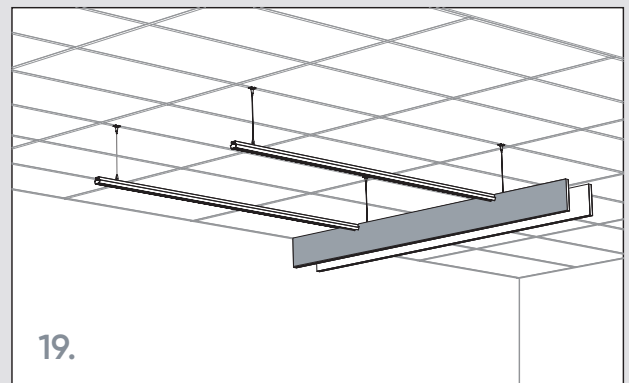
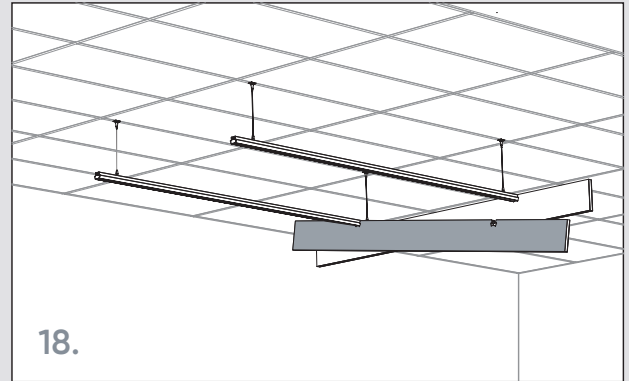
NOTE: Trim the Snap Cover into the required size to use as the snap cover/spacer for the Capella blades using a drop saw. Ensure you consider the thickness of the acoustic panels when determining a spacing size to cover the entire 2.5m. Refer to Capella Data Sheet for recommended spacing at csmartini.com.au

Insert the Snap Covers near the first blade you have already installed and slide across.



Step 18, 19 and 20

Continue until you have positioned all blades and snap covers across the entire system.



Step 21

For modular setup use supplied connector.

